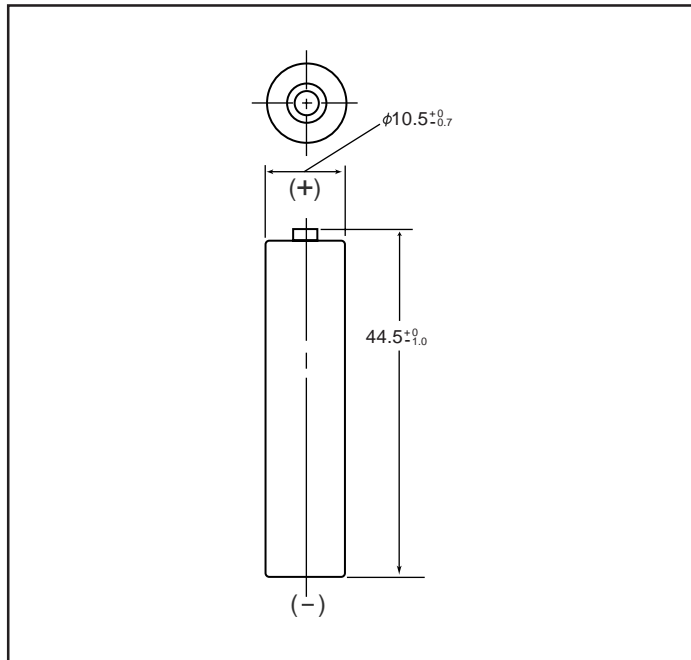


NICKEL CADMIUM BATTERIES: INDIVIDUAL DATA SHEET

P-25AAA AAA size (KR11/45) Type: N

Dimensions (with tube) (mm)



Specifications

	mm	inch
Diameter	10.5 +0 / -0.7	0.41 +0 / -0.03
Height	44.5 +0 / -1.0	1.75 +0 / -0.04
Approximate Weight	Grams	Ounces
	10g	0.35

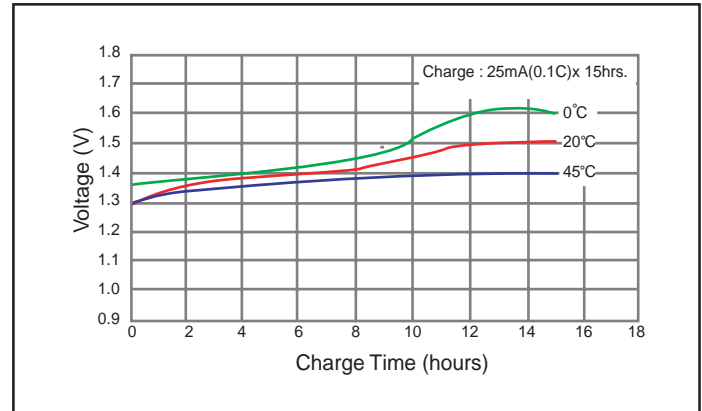
Nominal Voltage		1.2V		
Discharge Capacity*	Average**	280mAh		
	Rated (Min.)	250mAh		
Approx. Internal impedance at 1000Hz at charged state.		17mΩ		
Charge	Standard	25mA (0.1C)x 16hrs.		
	Short Time	83mA (0.25C)x 6hrs.		
	Trickle	Max Current	13mA (0.05C)x 30h and over	
		Min Current	8mA (0.033C)x 45h and over	
Ambient Temperature	Charge	Standard	°C	
			°F	
	Short Time	0°C to 45°C	32°F to 113°F	
	Discharge	10°C to 45°C	50°F to 113°F	
Storage	< 2 years	-20°C to 65°C	-4°F to 149°F	
	< 6 months	-20°C to 35°C	-4°F to 95°F	
		-20°C to 45°C	-4°F to 113°F	

* 0.2C discharge capacity after charging at 0.1C for 16 hours.

** For reference only.

Battery performance and cycle life are strongly affected by how they are used. In order to maximize battery safety, please consult Panasonic when determining charge / discharge specs, warning label contents and unit design.

Typical Charge Characteristics



Typical Discharge Characteristics

